

872 Assembled Panel Roving is coated with a silane-based sizing compatible with unsaturated polyester and acrylic resins. 872 delivers extremely fast resin wet-out and its good bonding with unsaturated polyester makes it ideal for use in panel applications where high transparency is vital.



Product Features

- Ⓢ Excellent choppability
- Ⓢ Good dispersion under certain tension
- Ⓢ Consistent and uniform laydown
- Ⓢ Excellent wet-out
- Ⓢ Good resin refractive match
- Ⓢ Excellent mechanical properties of the finished product

Identification

Example	ER12-2400-872
Type of Glass	E
Assembled Roving	R
Filament Diameter, μm	12
Linear Density, tex	2400
Size Code	872

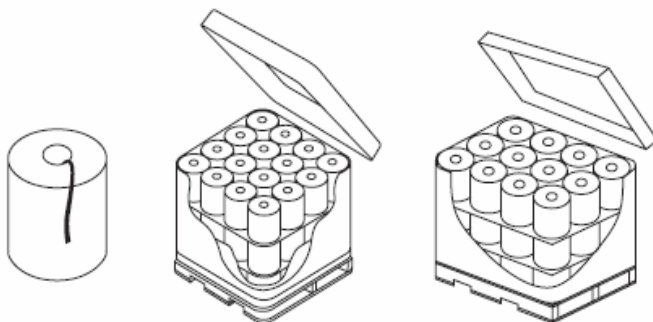
Technical Parameters

Linear Density (%)	Moisture Content (%)	Size Content (%)	Stiffness (mm)
ISO 1889	ISO 3344	ISO 1887	ISO 3375
± 5	≤ 0.15	0.60 ± 0.15	115 ± 20

Storage

Unless otherwise specified, the fiberglass products should be stored in a dry, cool and moisture-proof area. The room temperature and humidity should be always maintained at $15^{\circ}\text{C} \sim 35^{\circ}\text{C}$ and $35\% \sim 65\%$. It is best if the product is used within 6 months after production date. The fiberglass products should remain in their original packaging until just prior to user.

To ensure safety and avoid damage to the product, the pallets should not be stacked more than three layers high. When the pallets are stacked in 2 or 3 layers, special care should be taken to correctly and smoothly move the top pallet.



Packaging

* The product can be packed on pallet or in small cardboard boxes.

Package height mm (in)	260 (10)	260 (10)
Package inside diameter mm (in)	100 (4)	100 (4)
Package outside diameter mm (in)	270 (10.6)	310 (12.2)
Package weight kg (lb)	17 (37.4)	23 (50.7)

Number of layers	3	4	3	4
Number of dofs per layer	16		12	
Number of dofs per pallet	48	64	36	48
Net weight per pallet kg (in)	816 (1797.3)	1088 (2396.5)	828 (1825.4)	1104 (2433.9)

Pallet length mm (in)	1120 (44)		1270 (50)	
Pallet width mm (in)	1120 (44)		960 (37.8)	
Pallet height mm (in)	940 (37)	1180 (46.5)	940 (37)	1180 (46.5)